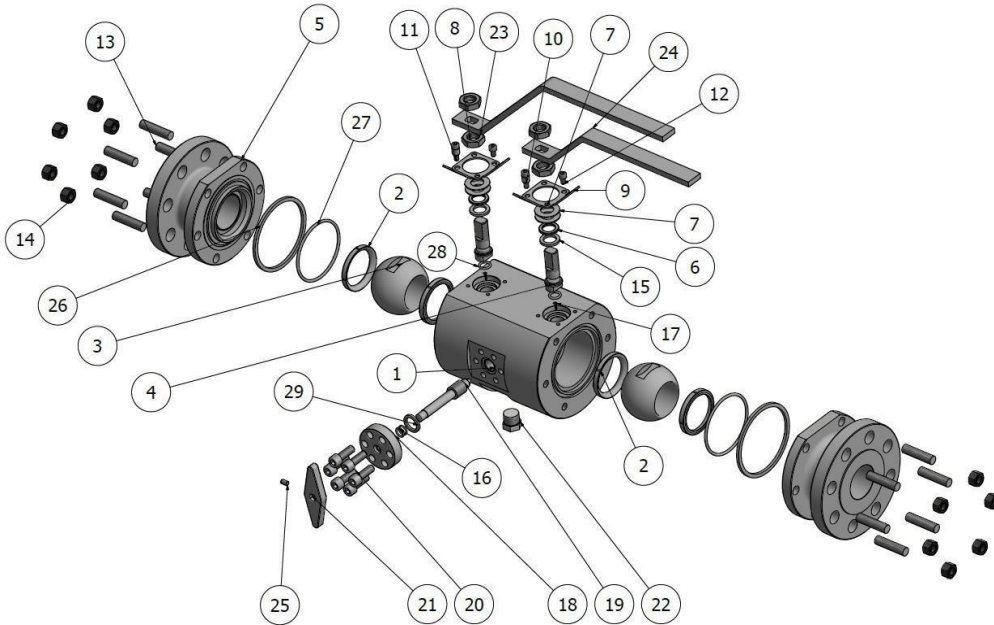


DOUBLE BLOCK AND BLEED BALL VALVE (TWIN BALL)

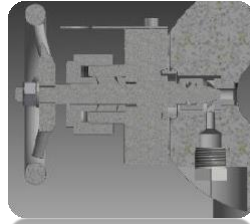
FLOATING TYPE



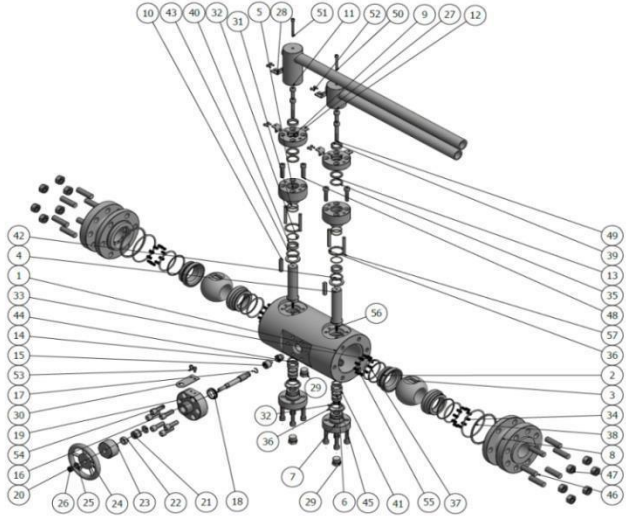
ELEMENT	QTÀ	DESCRIPTION	ELEMENT	QTÀ	DESCRIPTION
1	1	BODY	16	2	O-RING
2	4	SEAT	17	2	ANTISTATIC DEVICE
3	2	BALL	18	1	NEEDLE BONNET
4	2	STEM	19	1	NEEDLE STEM
5	2	FLANGE	20	6	SCREW
6	2	PACKING GLAND	21	1	NEEDLE LEVER
7	4	SPRING WASHER	22	1	PLUG
8	4	NUT	23	1	LEVER
9	2	LOCKING DEVICE	24	1	LEVER
10	2	STOP PIN	25	1	THREADED PIN
11	2	SCREW	26	2	SWT GASKET
12	2	SCREW	27	2	O-RING
13	12	STUD	28	2	O-RING
14	12	NUT	29	1	GRAPHITE SWT

Double block and Bleed Valves are a combination of two balls (twin) in the body, usually with a needle valve to vent the body cavity between the two balls. Valve design can be either Floating or Trunnion Type.

NEEDLE VALVE SECTION



TRUNNION TYPE



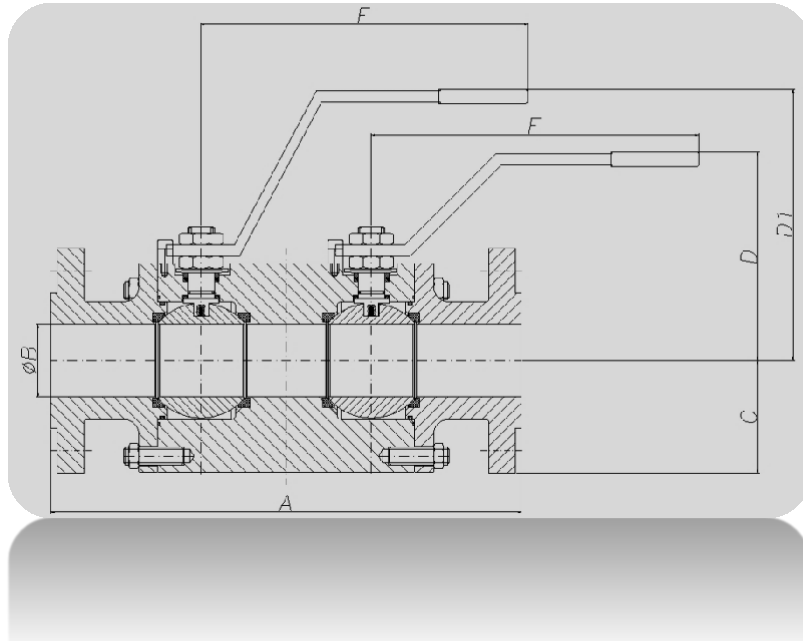
ELEMENT QTY DESCRIPTION

ELEMENT	QTY	DESCRIPTION
1	1	BODY
2	4	SEAT
3	2	BALL
4	2	STEM
5	2	OPERATOR FLANGE
6	2	TRUNNION
7	2	TRUNNION
8	2	FLANGE
9	2	COVER PLATE
10	2	KEY
11	1	LEVER
12	1	LEVER
13	2	PACKING GLAND
14	1	NEEDLE SEAT
15	1	NEEDLE DISC
16	1	NEEDLE STEM
17	1	CIRCLIP
18	1	RING
19	1	NEEDLE BONNET
20	1	WASHER
21	1	PACKING SEAL
22	1	WASHER
23	1	CLAMPING NUT
24	1	HANDWHEEL
25	1	RING

ELEMENT QTY DESCRIPTION

ELEMENT	QTY	DESCRIPTION
26	1	NUT
27	4	LOCKING DEVICE
28	2	LOCKING DEVICE
29	3	TAPPO/PLUG
30	1	NEEDLE LOCKING DEVICE
31	4	O-RING
32	4	O-RING
33	4	O-RING
34	2	O-RING
35	2	GRAPHITE
36	4	SWT GASKET
37	4	GRAPHITE
38	2	SWT GASKET
39	2	BOCCOLA/BEARING
40	2	BOCCOLA/BEARING
41	2	BOCCOLA/BEARING
42	2	THRUST BEARING
43	2	THRUST BEARING
44	2	THRUST BEARING
45	2	DUP RING
46	12	STUD
47	12	NUT
48	12	SCREW
49	4	SCREW
50	1	SCREW
51	1	SCREW
52	12	SCREW
53	2	SCREW
54	6	SCREW
55	40	SPRING
56	2	ANTISTATIC DEVICE
57	4	IN

FLOATING DIMENSIONS



150# CLASS

SIZE	FACE TO FACE (A)	Ø BORE (B)	C	D	D1	F
NPS(Inch.)/DN(mm)	RF/RTJ/BW	mm	mm	mm	mm	mm
1/2" / 15	250	13	45	140	190	276
3/4" / 20	265	19	50	140	190	276
1" / 25	280	25	55	144	190	276
1,1/2" / 40	305	38	62,5	130	170	360
2" / 50	340	49	75	148	207	360
3" / 80	390	74	95	150	190	360
4" / 100	440	100	115	217	300	450

300# CLASS

SIZE	FACE TO FACE (A)	Ø BORE (B)	C	D	D1	F
NPS(Inch.)/DN(mm)	RF/RTJ/BW	mm	mm	mm	mm	mm
1/2" / 15	250	13	47,5	140	190	276
3/4" / 20	265	19	57,5	140	190	276
1" / 25	280	25	62,5	144	154	360
1,1/2" / 40	350	38	77,5	130	170	360
2" / 50	340	49	82,5	148	207	360
3" / 80	400	76	105	150	190	360
4" / 100	465	100	127,5	217	300	700



600# CLASS

SIZE	FACE TO FACE (A)	Ø BORE (B)	C	D	D1	F
NPS(Inch.)/DN(mm)	RF/RTJ/BW	mm	mm	mm	mm	mm
1/2" / 15	260	13	47,5	140	190	276
3/4" / 20	280	19	57,5	140	190	276
1" / 25	300	25	62,5	144	194	276
1,1/2" / 40	350	38	77,5	130	170	450
2" / 50	340	49	82,5	148	207	360
3" / 80	462	76	105	150	190	360

900# CLASS

SIZE	FACE TO FACE (A)	Ø BORE (B)	C	D	D1	F
NPS(Inch.)/DN(mm)	RF/RTJ/BW	mm	mm	mm	mm	mm
1/2" / 15	300	13	60	140	190	276
3/4" / 20	310	19	65	114	154	276
1" / 25	325	25	75	144	194	276
1,1/2" / 40	405	38	90	177	227	450
2" / 50	410	49	107,5	200	279	450

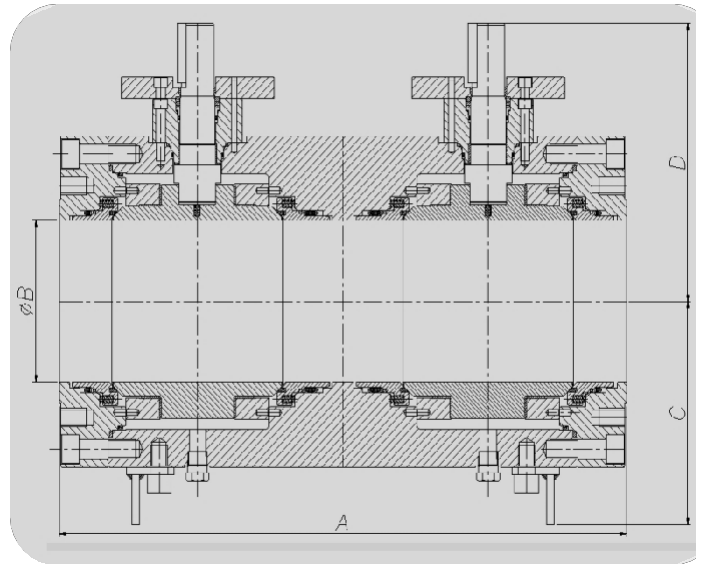
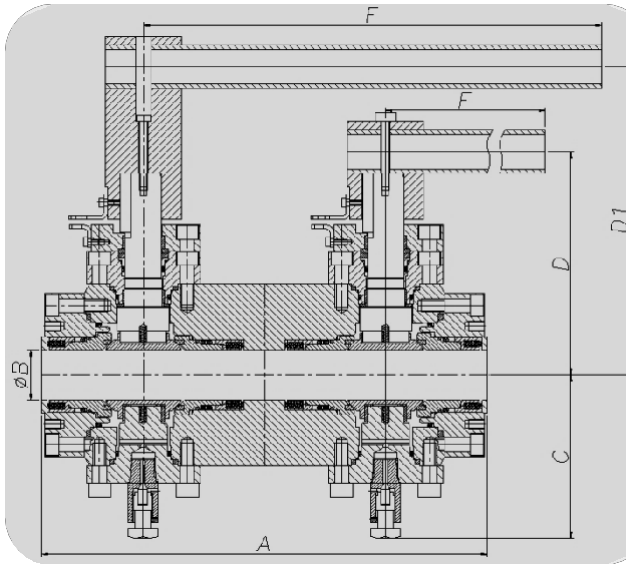
1500# CLASS

SIZE	FACE TO FACE (A)	Ø BORE (B)	C	D	D1	F
NPS(Inch.)/DN(mm)	RF/RTJ/BW	mm	mm	mm	mm	mm
1/2" / 15	300	13	60	140	190	276
3/4" / 20	310	19	65	114	154	276
1" / 25	325	25	75	144	194	276
1,1/2" / 40	405	38	90	177	227	450
2" / 50	410	49	107,5	200	279	450

2500# CLASS

SIZE	FACE TO FACE (A)	Ø BORE (B)	C	D	D1	F
NPS(Inch.)/DN(mm)	RF/RTJ/BW	mm	mm	mm	mm	mm
1/2" / 15	300	13	67,5	140	190	276
3/4" / 20	310	19	70	182	242	360
1" / 25	325	25	80	198	255	450

TRUNNION DIMENSIONS



150# CLASS

SIZE	FACE TO FACE (A)	Ø BORE (B)	C	D	D1	F
NPS(Inch.)/DN(mm)	RF/RTJ/BW	mm	mm	mm	mm	mm
2" / 50	454	51	135	182	252	430
3" / 80	473	76	163	250	330	700
4" / 100	551	102	177	237	/	GEAR
6" / 150	605	152	277	315	/	GEAR
8" / 200	778	203	280	350	/	GEAR
10" / 250	914	254	345	384	/	GEAR

300# CLASS

SIZE	FACE TO FACE (A)	Ø BORE (B)	C	D	D1	F
NPS(Inch.)/DN(mm)	RF/RTJ/BW	mm	mm	mm	mm	mm
2" / 50	454	51	135	182	252	430
3" / 80	459	76	159	207	/	GEAR
4" / 100	435	102	229	284	/	GEAR
6" / 150	720	152	270	300	/	GEAR
8" / 200	778	203	280	350	/	GEAR
10" / 250	972	254	330	419	/	GEAR



600# CLASS

SIZE	FACE TO FACE (A)	Ø BORE (B)	C	D	D1	F
NPS(Inch.)/DN(mm)	RF/RTJ/BW	mm	mm	mm	mm	mm
2" / 50	472	51	135	164	/	GEAR
3" / 80	627	76	210	220	/	GEAR
4" / 100	679	102	273	270	/	GEAR
6" / 150	877	152	356	320	/	GEAR
8" / 200	1020	203	419	387	/	GEAR

900# CLASS

SIZE	FACE TO FACE (A)	Ø BORE (B)	C	D	D1	F
NPS(Inch.)/DN(mm)	RF/RTJ/BW	mm	mm	mm	mm	mm
2" / 50	584	51	216	146	/	GEAR
3" / 80	647	76	241	218	/	GEAR
4" / 100	747	102	292	280	/	GEAR
6" / 150	772	152	313	347	/	GEAR
8" / 200	1096	203	470	420	/	GEAR

1500# CLASS

SIZE	FACE TO FACE (A)	Ø BORE (B)	C	D	D1	F
NPS(Inch.)/DN(mm)	RF/RTJ/BW	mm	mm	mm	mm	mm
2" / 50	584	51	216	146	/	GEAR
3" / 80	660	76	267	224	/	GEAR
4" / 100	787	102	311	240	/	GEAR
6" / 150	924	152	381	355	/	GEAR
8" / 200	1207	203	483	482	/	GEAR

2500# CLASS

SIZE	FACE TO FACE (A)	Ø BORE (B)	C	D	D1	F
NPS(Inch.)/DN(mm)	RF/RTJ/BW	mm	mm	mm	mm	mm
2" / 50	454	51	140	238	/	GEAR
3" / 80	850	76	171	271	/	GEAR
4" / 100	1250	102	245	362	/	GEAR
6" / 150	1350	152	365	481	/	GEAR
8" / 200	1530	203	450	542	/	GEAR